

MiBoxer controller

LS2W-P

This is an advanced, waterproof LED controller supporting up to 5 operating modes, designed for wireless control of various types of LED strips. It enables convenient lighting control using 2.4 GHz RF technology with a range of up to 30 meters. It allows adjustment of brightness, color temperature, and saturation, offering access to 16 million colors. Compatible with mobile apps and voice assistants (when used with a 2.4 GHz gateway), and thanks to its IP67 rating, it is also suitable for outdoor conditions.

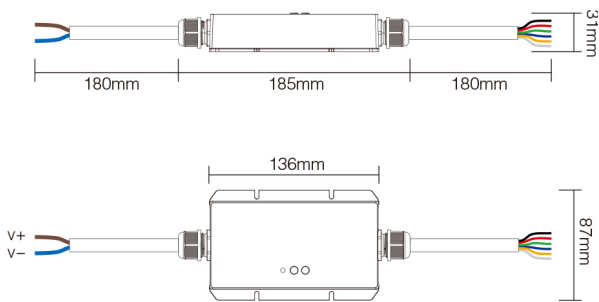


download the full manual

Technical specifications

Model	Product code	Color	Voltage	Power	Output current	IP	Control	Operating temperature
MIBOXER LS2W-P	LS2W-P	white	12-36 V DC	max. 240 W / 12 V DC, max. 720 W / 36 V DC	5 x 6A (total max. 20A)	IP 67	RF 2.4 GHz	-20~45°C

Dimensions



Compatible panels and remotes

